

Fulflo® CB Filter Vessels

- Carbon Steel
- 304 Stainless Steel

Bag Filter Vessel Series

CB Model Bag Filter Vessels are Designed for Economical Filtration of a Wide Variety of Industrial Liquids

The CB bag filter vessel series is an economical design that features the integrity of a bolted closure. The CB series is available in either carbon steel or 304 stainless steel. Both models have zinc plated closure bolts and zinc plated legs for corrosion resistance. The integral basket support provides a smooth interior for easy cleaning and bag installation. The CB is for use with either single or double length bags with flex type bag bands and can also be used with solid ring and plastic ring bags by using the optional bag sealing insert and adding an o-ring under the basket rim. The adjustable legs offer installation flexibility by allowing various inlet elevations and nozzle orientations.

Applications

- Potable Water
- Lubricants
- Process Water
- Coolants
- Edible Oils
- Cutting Oils
- Coatings
- Solvents



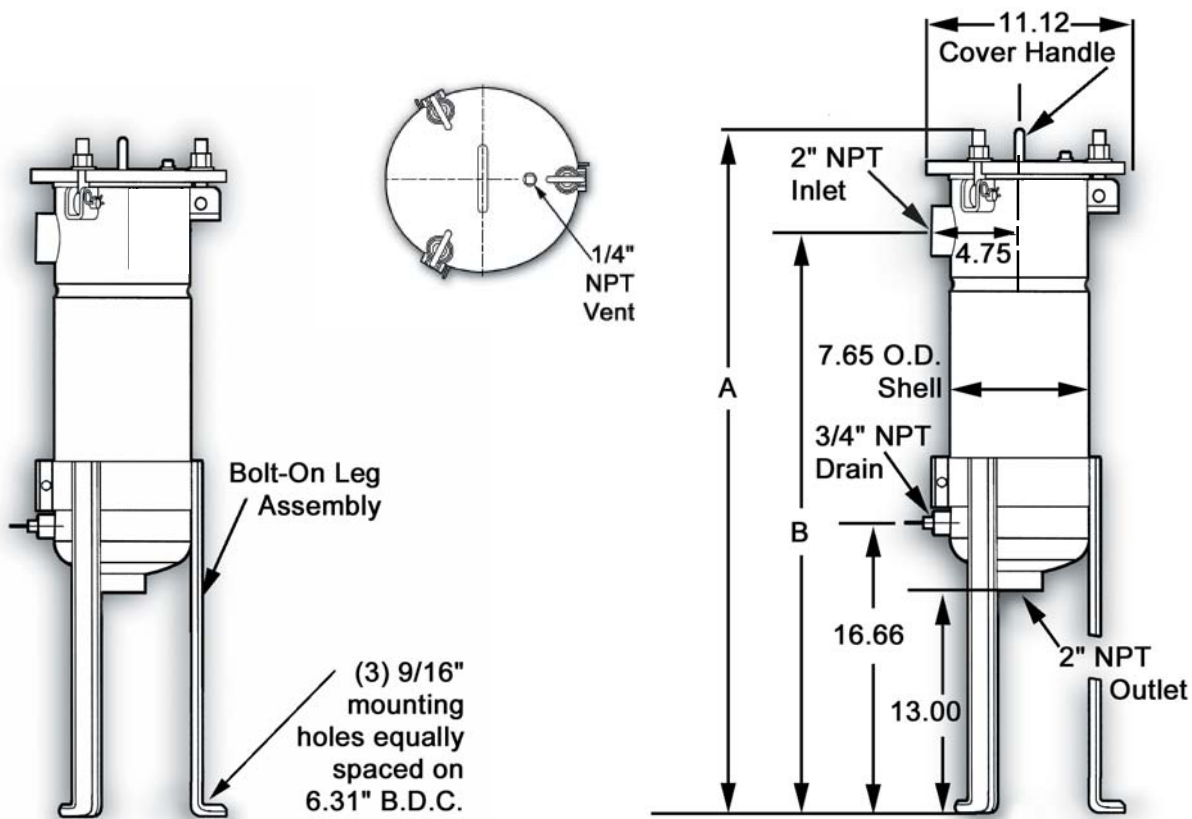
Features and Benefits

- Single o-ring design closure assures quick, positive cover sealing.
- Swing bolts for fast, easy and safe opening and closing of cover.
- Buna-N o-ring standard with optional EPR and Viton*.
- Maximum design pressure is 175 psi (12 bar) at 250°F** (121°C).
- Good manufacturing practice industrial design.
- Threaded vent and drain connections.
- Carbon steel with zinc plated support basket or 304SS with 316SS support basket.
- Adjustable leg height.
- Side inlet allows cover to open without disconnecting piping.
- Integral basket support design provides a smooth interior for easy wash-out and cleaning.
- Pivot pin cover allows cover to remain attached when opened.
- Positive seal of "C" style flex band bags prior to closing the vessel cover.
- Optional hold-down assembly for conversion to solid ring ("G" style) and plastic ring ("Q" style) bags.
- Zinc plated closure bolts and legs for corrosion resistance.

Process Filtration Division



Bag Filter Vessel Series



Design Specifications

Model	Bag Style	Typical Aqueous Flow+ (gpm)	Dimensions (in)		Shipping Weight (lbs)	Volume (gallons)
			A	B		
CB11-2	Single	80	40.50	33.25	65	4.3
CB12-2	Double	160	55.50	48.25	90	7.2

+ Actual flow rate is dependent on fluid viscosity, micron rating, contaminant and media type. Consult flow charts for each application.

Ordering Information

4	CB	11	—	2
Material	Model	Media Requirement		Inlet/Outlet Size
No Symbol = Carbon Steel 4 = 304 Stainless Steel		11 = One Single Bag 12 = One Double Bag		2" NPT

Process Filtration Division

* A trademark of E. I. du Pont de Nemours & Co.
 ** Operating temperature limited to 250°F (121°C) by standard Buna-N O-ring and exterior paint on carbon steel models. Optional O-ring materials are available.

Parker Hannifin Corporation
 Process Filtration Division
 6640 Intech Boulevard
 Indianapolis, Indiana 46278
 Toll Free 1-888-238-5356
 Telephone (317) 275-8300
 Fax (317) 275-8410
<http://www.parker.com/processfiltration>

