

## Fulflo® FCB Filter Vessels

- Carbon Steel
- 304 Stainless Steel

### Bag Filter Vessel Series

## FCB Model Bag Filter Vessels Designed for Economical Filtration of Liquids

### Applications

- Incoming Process Water
- Discharge Water
- Coolants
- Cutting Oils
- Inks
- Lubricants
- Paints
- Resins
- Solvents



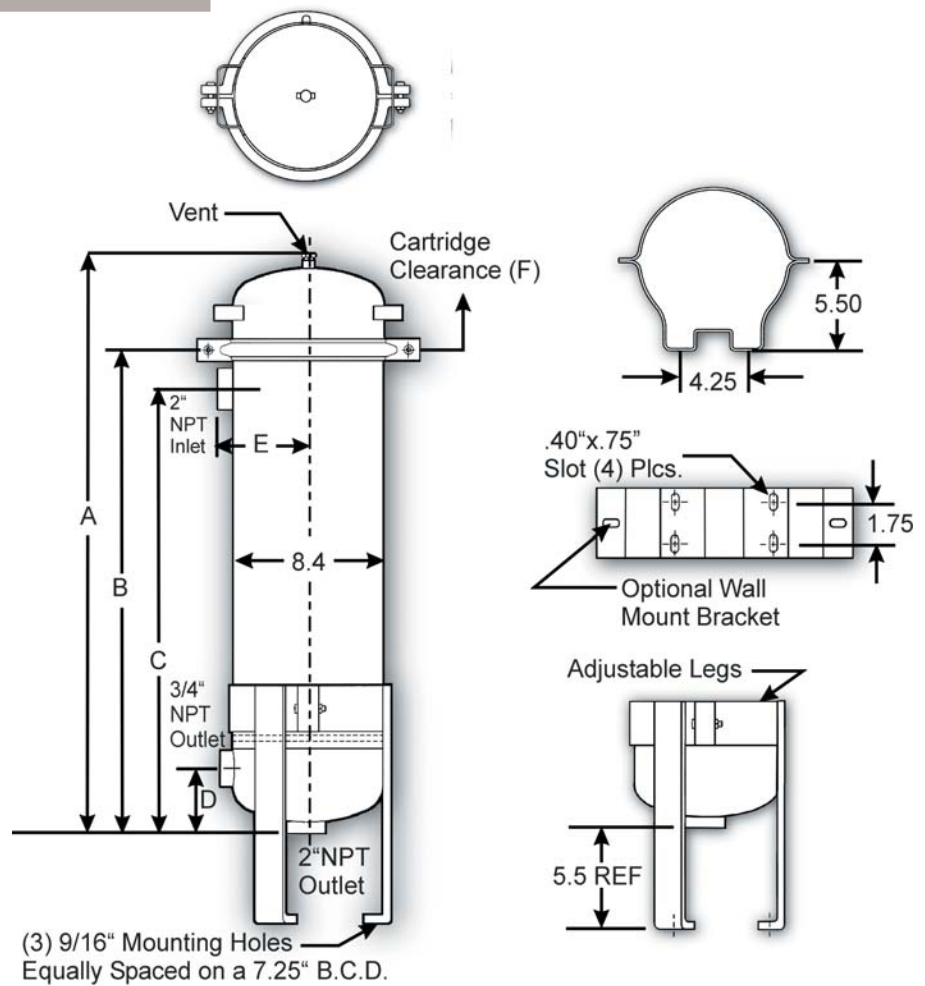
### Features and Benefits

- Maximum design pressure is 100 psi (6.9 bar) at 200°F (94°C).
- Patented safety-latch design prevents inadvertent separation of the head from the shell in the event of improper venting prior to clamp removal.
- V-band clamp permits easy opening for bag changeout.
- 2 in NPT female connections.
- Standard features include air vent lock and adjustable leg height.
- Standard "C" style flex band bags available in 1µm thru 800µm.
- Standard Buna-N gasket with EPR, Viton\* and fluoropolymer available.
- Stainless basket strainers available in 20, 40, 60, 80 and 100 mesh.
- Wall mounting bracket available.
- Optional hold-down assembly for conversion to "G" style bag media seal available.

## Process Filtration Division



# Bag Filter Vessel Series



## Design Specifications

Model	Material	Typical Aqueous Flow (gpm)	Dimensions (in)						Shipping Weight (lbs)
			A	B	C	D	E	F	
FCB11 <sup>†</sup>	Carbon Steel	80	30.00	24.00	21.38	3.75	4.88	16.00	35
FCB-12 <sup>††</sup>	Carbon Steel	100 <sup>†††</sup>	41.63	35.75	33.13	3.75	4.88	29.00	44
4FCB-11 <sup>†</sup>	304 SS	80	30.00	24.00	21.38	3.75	4.88	16.00	35
4FCB-12 <sup>††</sup>	304 SS	100 <sup>†††</sup>	41.63	35.75	33.13	3.75	4.88	29.00	44

<sup>†</sup> Uses "C" style single length bag.

<sup>††</sup> Uses "C" style double length bag.

<sup>†††</sup> Maximum recommended flow rate limited by 2 in NPT inlet.

## Ordering Information

4	FCB	1	1	—	2
Material	Design Series	Number of Bags	Bag Length		Inlet/Outlet
4 = 304 Stainless Steel No Symbol = Carbon Steel	FCB = Non-Code Design		1 = Single 2 = Double		Size

## Process Filtration Division

\* A trademark of E. I. du Pont de Nemours & Co.

**Parker Hannifin Corporation**  
 Process Filtration Division  
 6640 Intech Boulevard  
 Indianapolis, Indiana 46278  
 Toll Free 1-888-238-5356  
 Telephone (317) 275-8300  
 Fax (317) 275-8410

