



Filter Heat Transfer Oils and Other High Temperature Fluids with Fulflo HT Series ASME Code Vessels

Fulflo HT multi-cartridge filter vessels are specifically designed for filtration of high temperature heat transfer oils and other hot fluids. All details of design, materials and construction of the HT vessel series conform to ASME code.

The HT series vessels are designed for use with double open end (DOE) and single open end (SOE) cartridges in 10, 20 and 30 inch lengths.

Applications

- Heat Transfer Oils
- High Temperature Oils
- Hot Fluids and gases



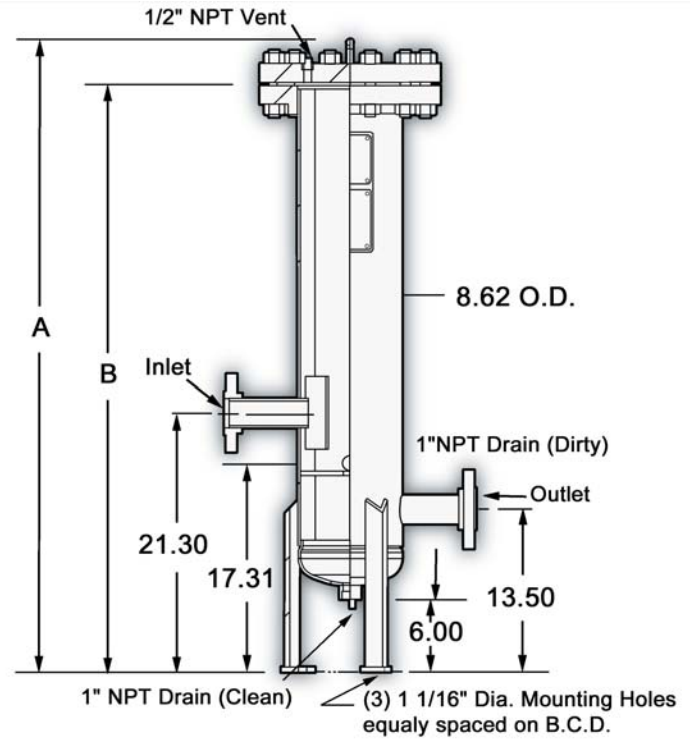
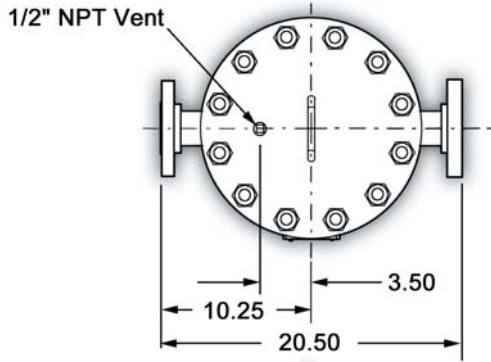
Features and Benefits

- ANSI blind flange closure for positive seal and common replacement gasket size.
- High temperature 304 SS spiral wound closure gasket with non-asbestos filler for use at elevated temperature and when fire safe non O-ring design is required.
- Modified silicone paint, suitable for high temperature, applied over sandblasted surface for exterior protection.
- Nickel plated bolting for corrosion resistance at high temperature.
- Cartridge top seats, guides and bottom seats made of 316 SS for corrosion resistance.
- Inlet and outlet nozzles extended 6 inches to allow for installation of protective insulation.
- Extended nameplate so design information is visible after protective insulation is installed.
- Designed for minimum pressure drop.
- Designed and fabricated in accordance with ASME Boiler and Pressure Vessel code, U or UM stamp.
- Design: 123 PSIG at 650°F and 418 PSIG at 650°F.
- Dual purpose cartridge seat for use with double open end and 2-222 O-ring single open end cartridges.

Process Filtration Division



Multi-Cartridge Filter Vessel Series



Model	No. & Length of Cart. (in)	Flow (gpm) [†]	Dimensions (in)		Shipping Weight (lbs)	
			A	B	150U, UM	300U, UM
HT6-1-2F	(6) 10	30	32.38	28.63	175	260
HT6-2-2F	(6) 20	60	42.44	38.69	190	275
HT6-3-2F	(6) 30	90	52.50	48.75	205	290

[†] Based on 5 gpm per 10" cartridge

Material of Construction	Maximum Operating Pressure	Maximum Design Temperature
Carbon Steel	123 psi (8.48 bar)	650°F (343°C)
Carbon Steel	418 psi (28.82 bar)	650°F (343°C)

Ordering Information

HT	6	1	2F	UM150
<i>Design Series</i> High Temperature	<i>Number of Columns</i>	<i>Cartridge Length</i> 1 - 10 in 2 - 20 in 3 - 30 in	<i>Inlet/Outlet Flange Size</i> 2 in	<i>Code Stamp</i> UM150 UM300 U150 U300

Process Filtration Division