

Fulflo® LT Series Single Cartridge Vessels

■ SAN/Polypropylene

Single Cartridge Filter Vessel Series

Fulflo® Polymeric Vessels for Water Filtration

Parker Fulflo LT Series Polymeric Vessels are an ideal economical choice for low flow industrial and potable water applications. Standard and large diameter vessels accommodate 2-1/2 and 4-1/2 inch O.D. double-open-end Fulflo cartridges and meet FDA requirements for use with potable fluids. Both 10-in and 20-in vessels, with or without pressure relief vent, are available. Installation wrenches and brackets are optional.

Applications

- Potable Water
- Beverages
- Bottled Water
- DI Water
- Food Products
- Process Water
- Alkaline Parts Washing
- Compressor Condensate
- Industrial Discharge Water
- Leisure/Commercial Shipping Bilge Water
- Post Oil/Water Separator Polishing



Features and Benefits

- Fulflo® polymeric vessels are available in two diameters and lengths, with or without relief vent.
- The all-polymeric, corrosion-resistant LT series vessels are economical alternatives to stainless steel vessels when high temperature and high pressure are not specified.
- All models are made of materials that meet FDA requirements.
- The LTG model vessels provide both 1 in and 1-1/2 in NPT connection in same head.
- Positive head-to-shell "stop" prevents over tightening.
- Unique o-ring design ensures effective sealing by positive tangential contact and eliminates accidental misplacement.
- LT model vessels are ideal for Fulflo bonded, pleated and wound cartridges, as well as activated carbon core models MMCT-10, MC10-2, MC20-2 and MC30-2.
- LTG model vessels are ideal for Fulflo TruBind 400 series cartridges and 4-1/2 in O.D. wound cartridges in double-open-end style.
- Optional installation wrenches accommodate faster cartridge changeout.
- Mounting brackets are available for pipe and wall installation.
- LT series vessels are tested to industry standards of Water Quality Association for burst pressure, seal integrity, and fatigue resistance.

Process Filtration Division



Specifications

Materials of Construction:

- White talc-reinforced polypropylene head with clear styrene acrylonitrile (SAN) shell.
- Head-to-shell o-ring:
LT model: 2-240 Buna N
LTG model: 2-358 Buna N

Recommended Operating Conditions:

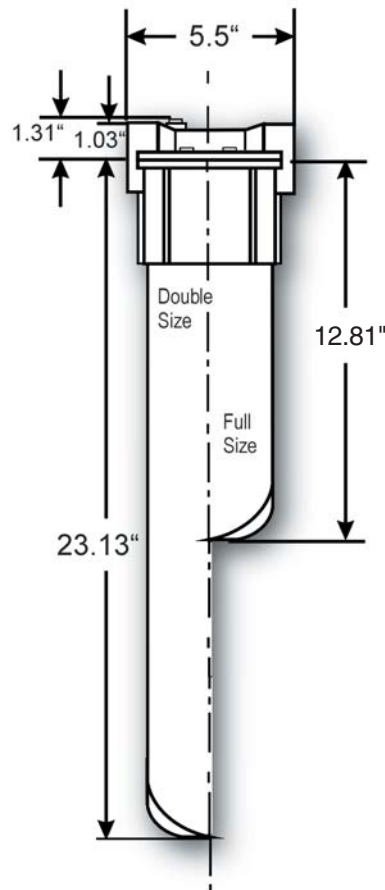
- Maximum operating temperature: 125°F. (52°C) @ 100 psi (6.9 bar)
- Maximum operating pressure:
LT: 150 psi (10.3 bar) @ 75°F (22°C). LTG: 125 psi. (8.6 bar) @ 75°F (22°C)
- Maximum recommended flow rate:
LT10: 6 gpm (23 lpm)
LT20: 12 gpm (45 lpm)
LTG10: 10 gpm (38 lpm)
LTG20: 20 gpm (76 lpm)

Connection Dimensions:

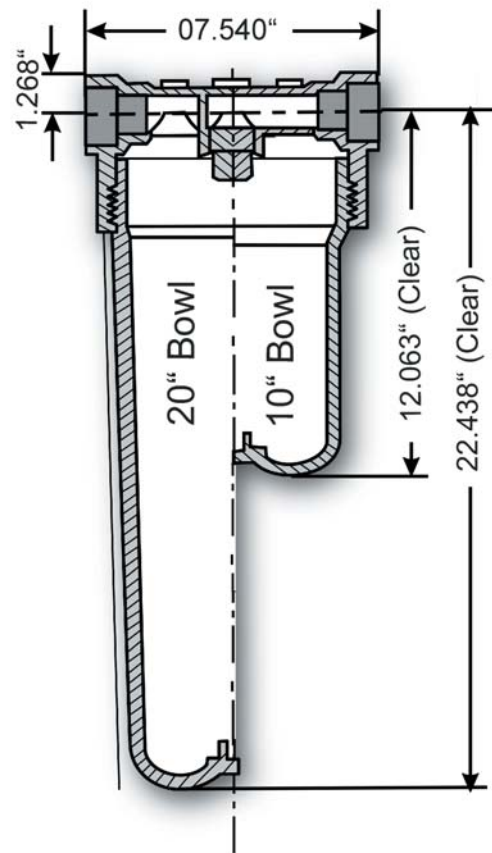
- LT: 3/4 in NPTF
- LTG: 1 and 1 1/2 in NPTF (dual connection)

Accepts Industry Standard Cartridge Sizes (Nominal):

- Lengths:
9 13/16 in (249 mm);
20 in (508 mm)
- I.D. 1 1/16 in (27mm)
- O.D. LT: 2 1/2 in (64 mm)
LTG: 4 1/2 in (114mm)



Model LT



Model LTG

Optional Seal Configuration:

- LT: Accommodates 213 o-ring seal ("PR" cartridge code)

Available Options for LT Model

Option	Part Number
Wrench for 10 in Shell	6880-1-005
Wrench for 20 in Shell	6880-1-010
L-Bracket—Wall Mount	0820-6010
U-Bracket—Pipe Mount	0820-6015

Available Options for LTG Model

Option	Part Number
Wrench for 10 in Shell	6880-6000
Wrench for 20 in Shell	6880-6001
L-Bracket—Wall Mount	0820-6001

Available Vessel Part Numbers

LT Model	LTG Model
LT10	LTG10
LT10V	LTG10V
LT20	LTG20
LT20V	LTG20V

Ordering Information

LT	10	V
Series	Vessel Length (in)	Vent (in)
LT=Vessel for nominal 2 1/2 in O.D. cartridges	10 = 10 20 = 20	No Symbol = No Vent V = Vent

LTG=Vessel for nominal 4 1/2 in O.D. cartridges

Process Filtration Division

Parker Hannifin Corporation
Process Filtration Division
6640 Intech Boulevard
Indianapolis, Indiana 46278
Toll Free 1-888-238-5356
Telephone (317) 275-8300
Fax (317) 275-8410
<http://www.parker.com/processfiltration>

